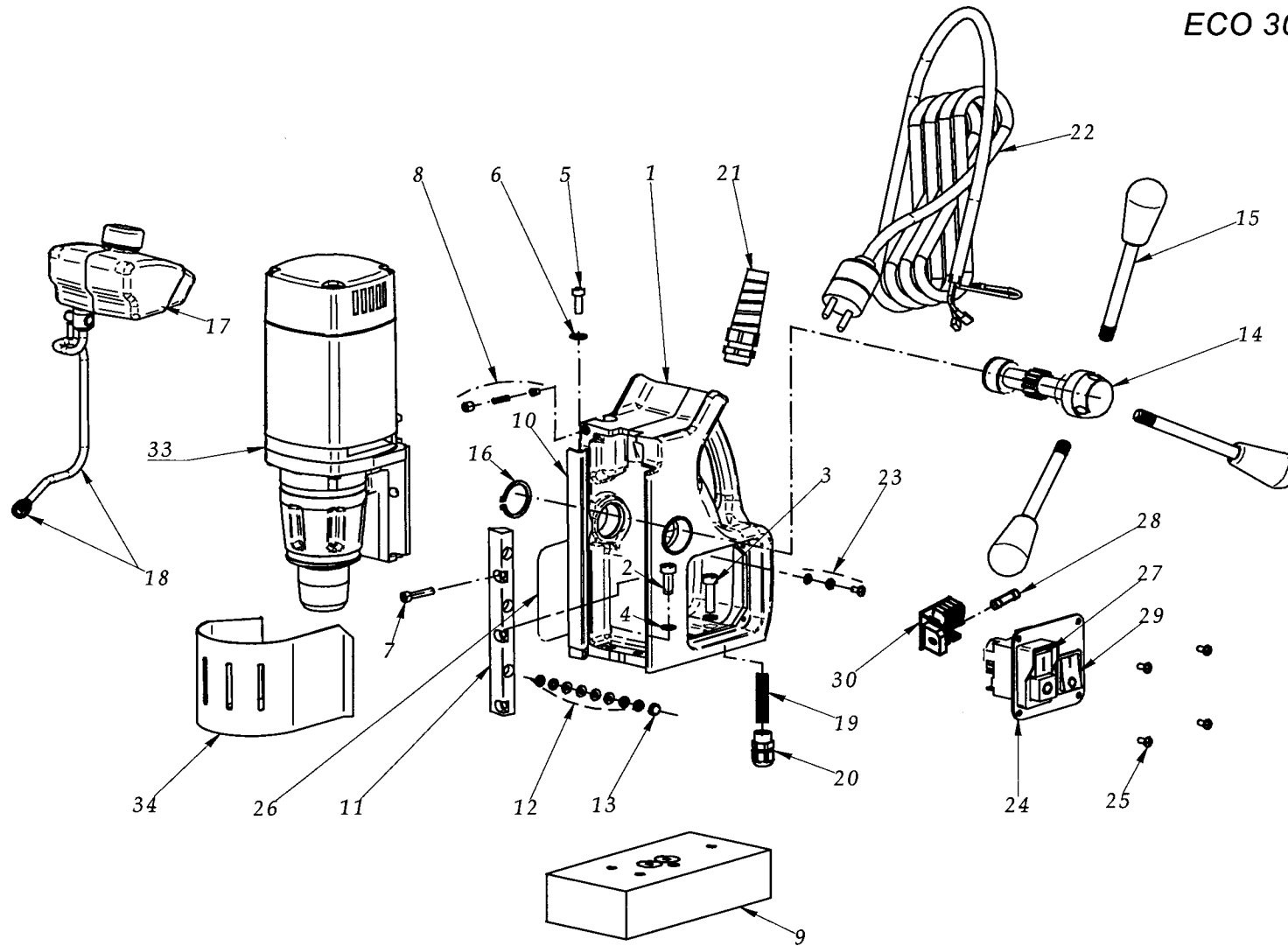


Spareparts ECO.30

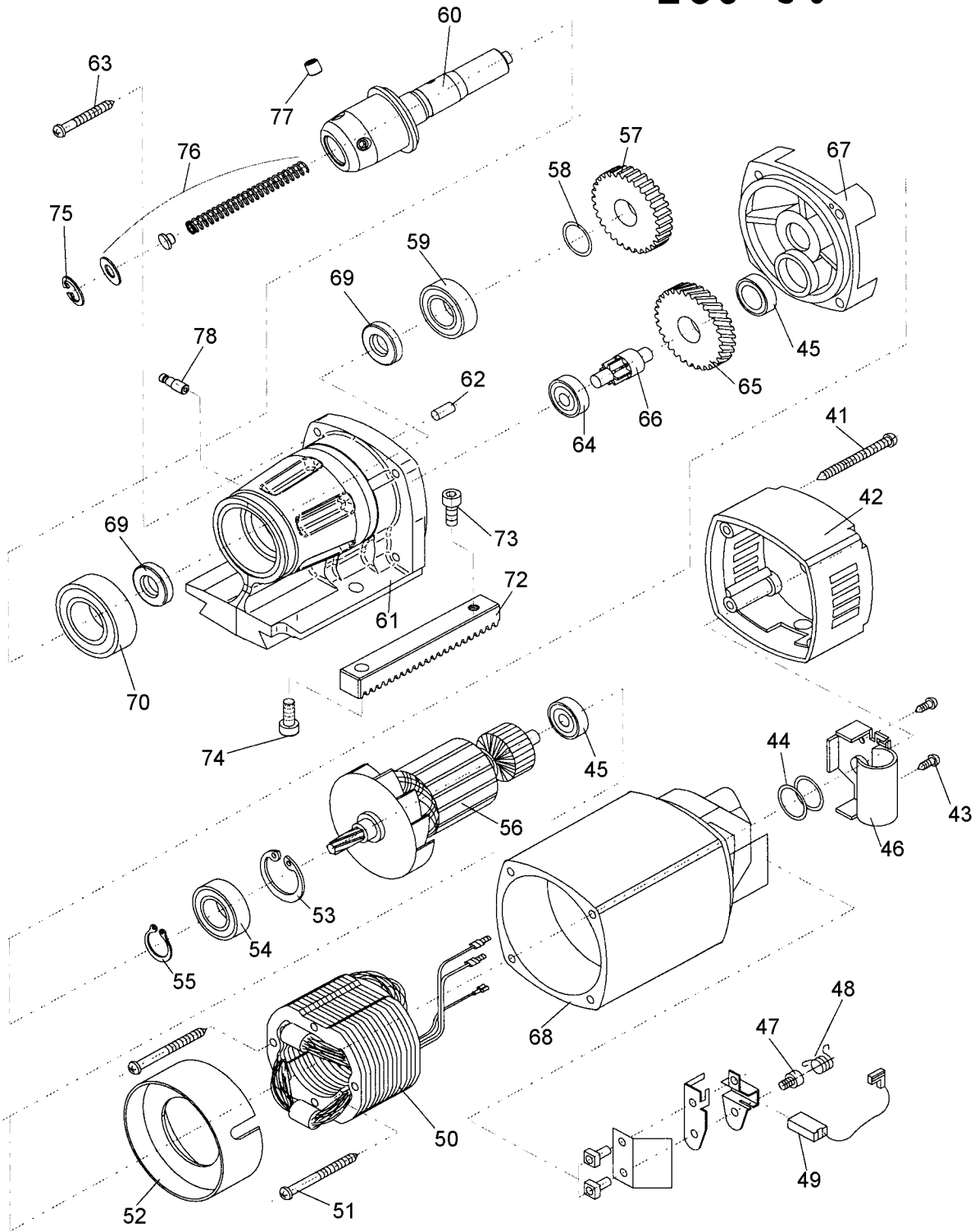
1	030E.0001	Frame
2	020.0156	Screw SSM6x20
3	020.0146	Screw SSM6x25
4	020.0111	Washer M6
5	030E.0006	Screw SSM5x12
6	030E.0007	Flat washer M6
7	030E.0011	Screw SSM5x25
8	030E.0016	Tank fixing set
9	030E.0021	Magnet
10	030E.0026	Brass rail left
11	030E.0031	Brass rail right
12	030E.0036	Tension shells
13	030E.0041	Tension plate
14	030E.0046	Capstan hub assembly
	030E.0048	Power Assist (optional)
15	030E.0051	Arm with knob
16	030E.0056	Circlip
17	030E.0111	Oil tank
18	030E.0116	Hose + Connector
19	030E.0061	Spring for motorcable
20	030E.0066	Coupling nut for motorcable
21	020.0031	Coupling nut Maincable
22	020.0036	Main Cable
23	030E.0071	Screw BKM4x10 + washer
24	030E.0081	Front plate
25	030E.0077	Screw BKM4x10
26	030E.0086	Rear plate
27	030E.0091	Motorswitch 220v
	030E.0092	Motorswitch 110v
28	020.0017	Fuse F2A
29	020.0011	Magnet Switch
30	030E.0101	Control Unit 'L-type' 220v
	030E.0101/2	Control Unit with fuse
	030E.0102/1	Control Unit 'L-type' 110v
33	030E.0106	Motor Unit 220v
	030E.0107	Motor Unit 110v
34	030E.0121	Chip Guard
41	032.0106	Screw BK4,8x50
42	030E.0141	End Cover
43	032.0116	Screw BK4,2x13
44	032.0121	Adaptor Ring 22x0,5
45	032.0126	Bearing 8x22x7
46	032.0131	Adaptor ring Cap
47	032.0136	Screw for spring
48	032.0141	Spring
49	032.0146	Carbon Brush set
50	030E.0201	Field 220v
	030E.0202	Field 110v
51	032.0156	Screw BK3,9x60
52	032.0161	Baffle
53	032.0166	Circlip
54	032.0171	Bearing 12x28x8
55	032.0176	Circlip
56	032.0181	Armature 220v

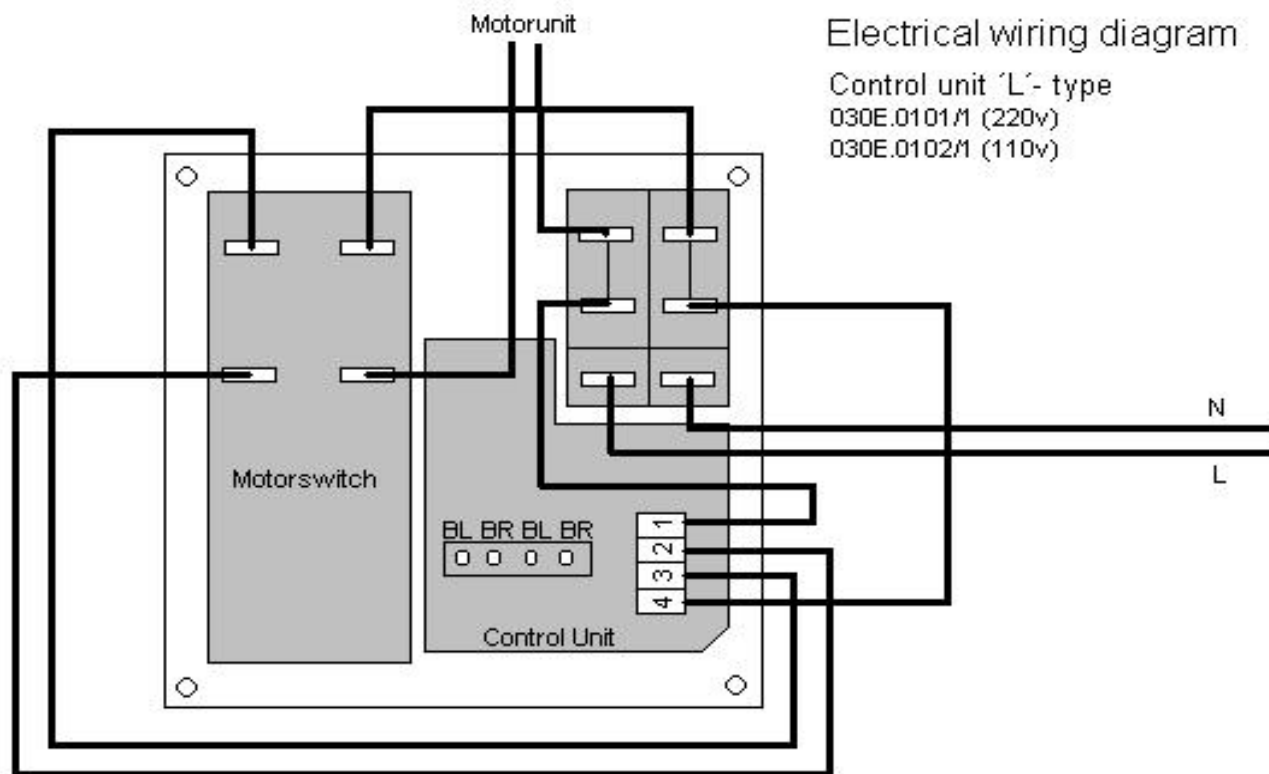
032.0182	Armature 110v
57 032.0186	Spindle Gear
58 032.0191	Adaptor Ring 24x0,2
59 032.0196	Bearing
60 030E.0151	Spindle Drive Shaft
61 030E.0156	Gear casing
62 032.0211	Pin
63 032.0216	Screw BK4,8x38
64 032.0126	Bearing 8x22x7
65 032.0226	First Gear
66 032.0231	Axle
67 032.0236	Inner Gear Plate
69 030E.0171	Seal
70 030E.0176	Bearing
72 030E.0161	Rack
73 030E.0166	Screw SSM6x12
74 020.0156	Screw SSM6x20
75 020.0131	Circlip spindle
76 020.0123	Springset
77 020.0136	Fixing Screw M8x8
78 Q.0056	Nipple

ECO 30



ECO 30



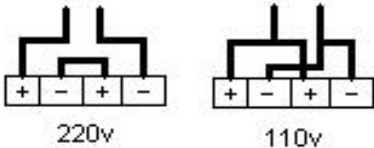
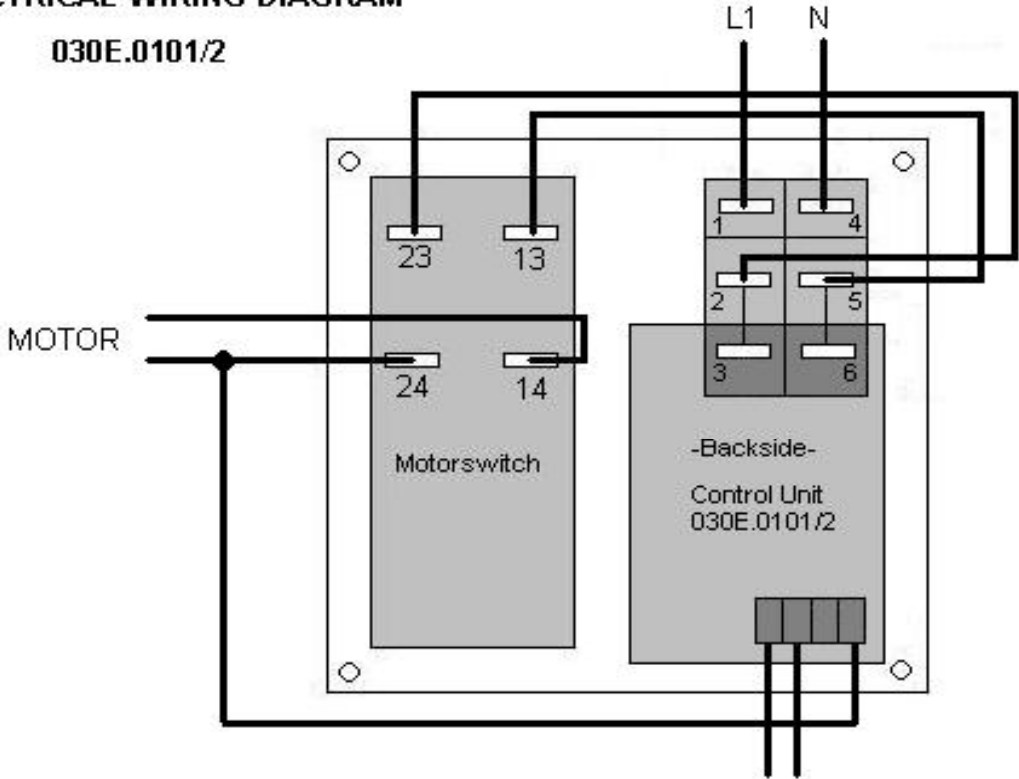


Electrical wiring diagram

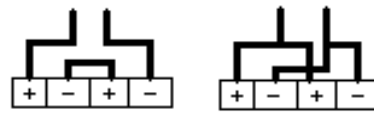
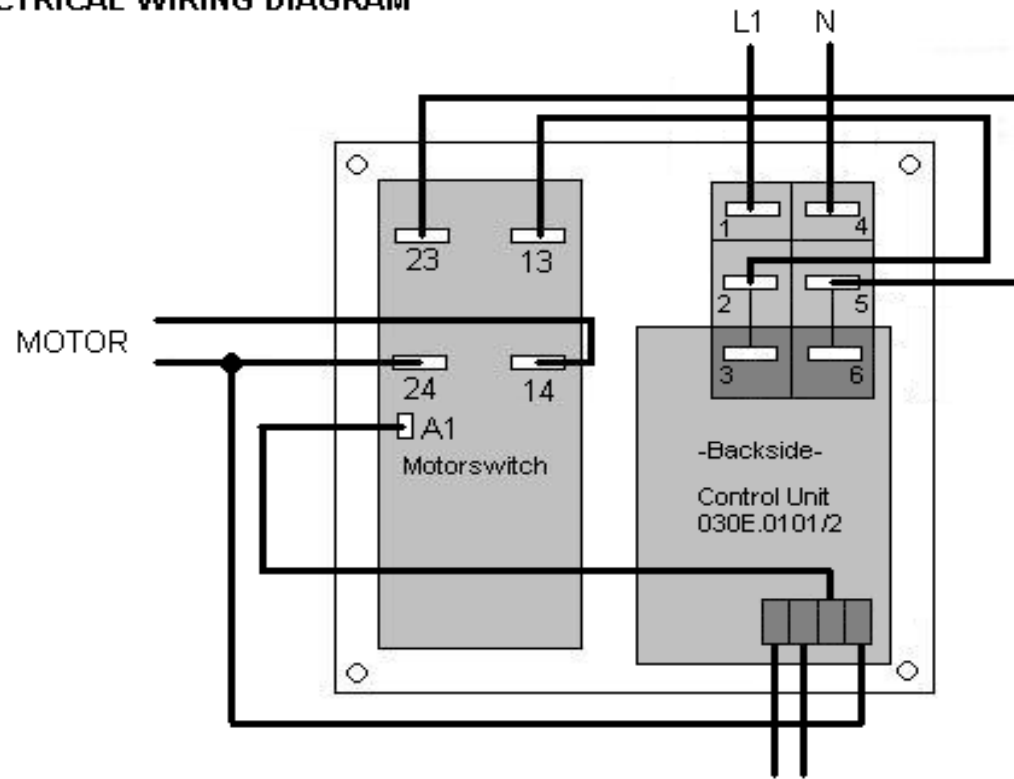
Control unit 'L'- type
030E.0101/M (220v)
030E.0102/M (110v)

ELECTRICAL WIRING DIAGRAM

030E.0101/2



ELECTRICAL WIRING DIAGRAM



220v

110v